

WALL MOUNTED SHOWER SYSTEMS

surfashower®

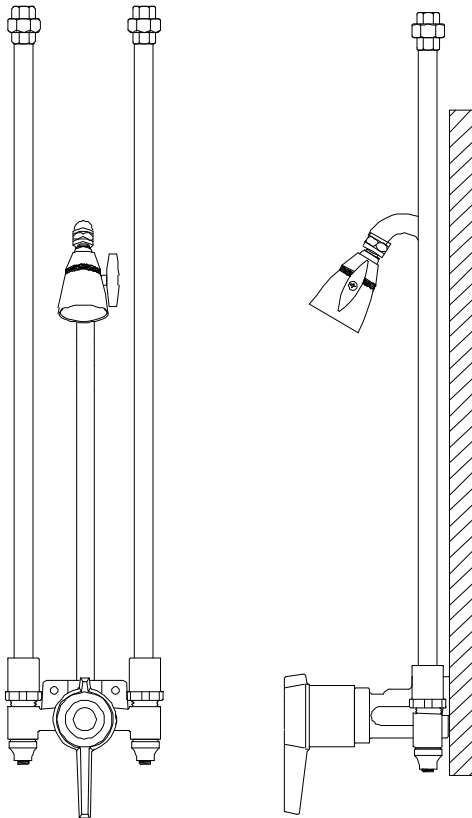
Pressure Actuated Surfashower® Models

SS-PAM-203-E

- PAM-II, pressure-actuated shower mixer
- Durable stainless steel pressure balancing piston
- Built-in shutoff for single handle operation
- Color-coded dial, OFF through HOT
- Adjustable high temperature limit stop set for 110°F (43°C)
- Integral checkstops with female adapters, supply risers with unions
- Integral cast mounting bracket
- Outlet gooseneck, pipe support
- H-02 adjustable spray ball joint shower head, 2.5 GPM (95 l/min.) max.
- 1/2" IPS connections
- Maximum supply pressure: 125 PSI (860 KPA)

SS-PAM-201-E

- H-01 (AC-11) ball joint shower head, volume control, 2.5 GPM (9.5 l/min.) max.



WARNING: This product can expose you to chemicals including lead, which is known to the State of California to cause cancer. For more information, go to www.P65Warnings.Ca.gov

* VALVE IS ASSE 1016 CERTIFIED



Engineer's Approval	Job # _____
	Arch/Eng. _____
	Contractor _____

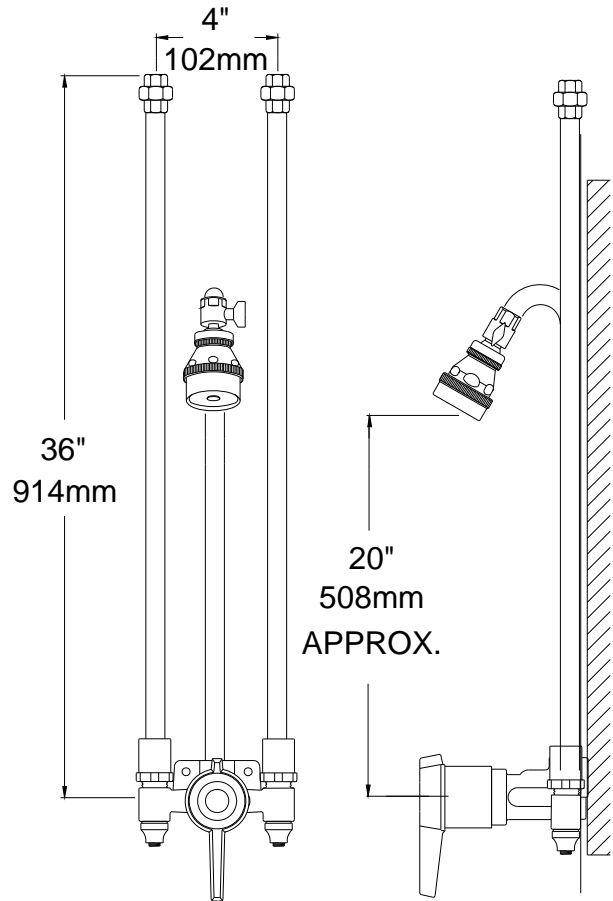
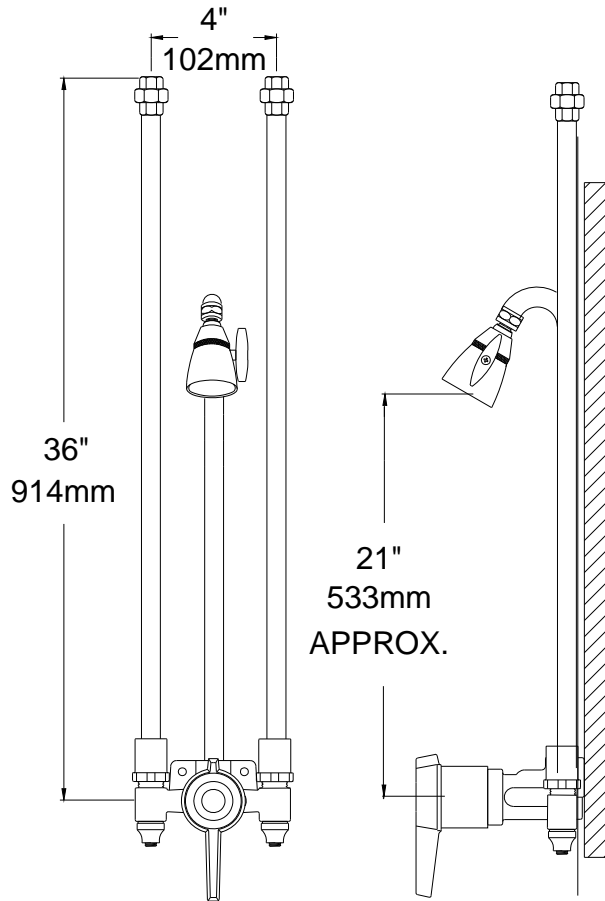


1360 Elmwood Avenue, Cranston, RI 02910 USA
 Phone: 401.461.1200 Fax: 401.941.5310
 Email: info@leonardvalve.com
 Web Site: <http://www.leonardvalve.com>

WALL MOUNTED SHOWER SYSTEMS-EXPOSED PIPING SYSTEMS

* SS-PAM-203-E

* SSPAM-201E



Note: Leonard Valve Company reserves the right of product, or design modifications without notice or obligation.

Job # _____
Arch/Eng. _____
Contractor _____

